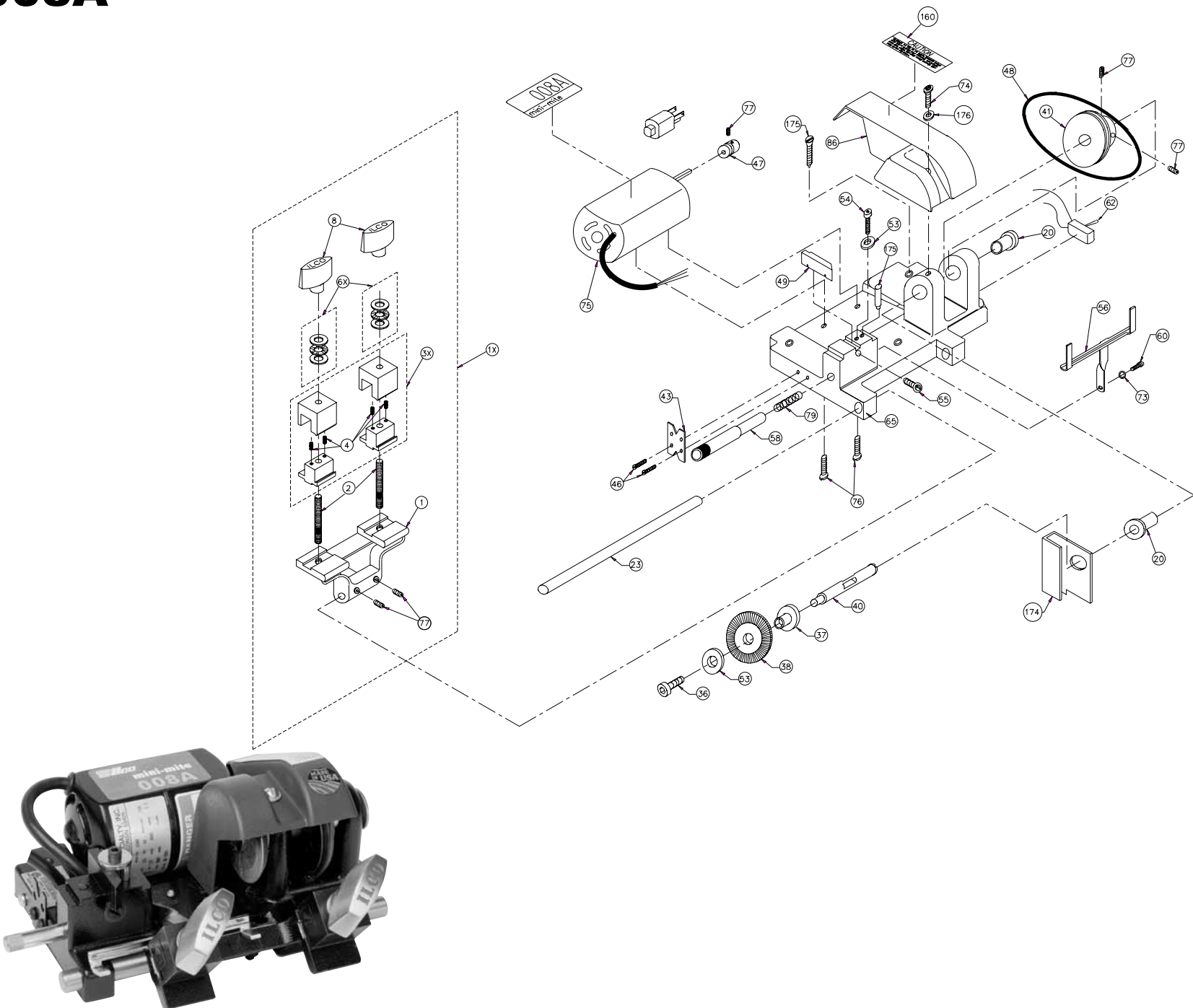


008A



008A

	Description	Part Number	Item Number		Description	Part Number	Item Number
1	Carriage (008)	008-1	B2419401	60	Key Gauge Screw (8-32 X 1/2")	008-60	174277
1X	Carriage Assembly	008-1X	501160	62	Power Switch		129193
2	(3-57) Carriage Stud	008-2	BD0223XXXX	65	Main Base, Machined	008A-65	501574
3X	Super Jaw 1	008-3X	BD0409XXXX	73	Key Gauge Lockwasher	008-73	194206
4	Vise Jaw Spring	008-4	BD0224XXXX	74	Safety Hood Screw (10-32 X 3/8")	008-74	172314
6X	Thrust bearing Set (1-59)	008-6X	BD0222XXXX	75	115 Volt Motor w/cord set	008A-75A	BD0658XXXX
8	Wing Nuts	008-8	BD0242XXXX	76	Motor Mounting Screw	008-76	170306
20	Cutter Shaft Bushings	008-20	BD0231XXXX	77	Set Screw (10-32 X 1/4")	008-77	174449
23	Carriage Shaft	008-23	129231	79	Key Gauge Spring	008-79	B2575472
36	"Cutter Shaft Screw (10-32 X 3/4")	008-36	174285	86	Safety Hood Assembly	008A-86A	132084
37	Cutter Spacer	008-37	129702	160	Caution Label	008-160	131841
38	Cutter 23RF	008-38	BC0017XXXX	174	Chip Deflector	008-174	103821U
40	Cutter Shaft	008-40	129704	176	Cutter Guide Pin	008-176	129227
41	Cutter Shaft Pulley	008-41	199075	177	Safety Hood Washer	008-177	194272
47	Motor Pulley	008-47	B2415405	N/S	008A Instruction Manual	008A-IM	125389
48	Drive Belt (190-16)	008-48	BD0244XXXX	N/S	12 Volt Motor w/connecting cable	008-75	129316
49	Stylus (cutter guide)	008A-49	131241	N/S	3/32" Allen Key		129014
53	Binding Washer	008-53	194275	N/S	5/32" Allen Key		129109
54	Cutter Guide Binding Screw	008-54	174690	N/S	9/64" Allen Key		129161
55	Adjusting Screw	008-55	129500				
56	Key Gauge	008-56	103820U				
58	Key Gauge Shaft	008-58	129703				