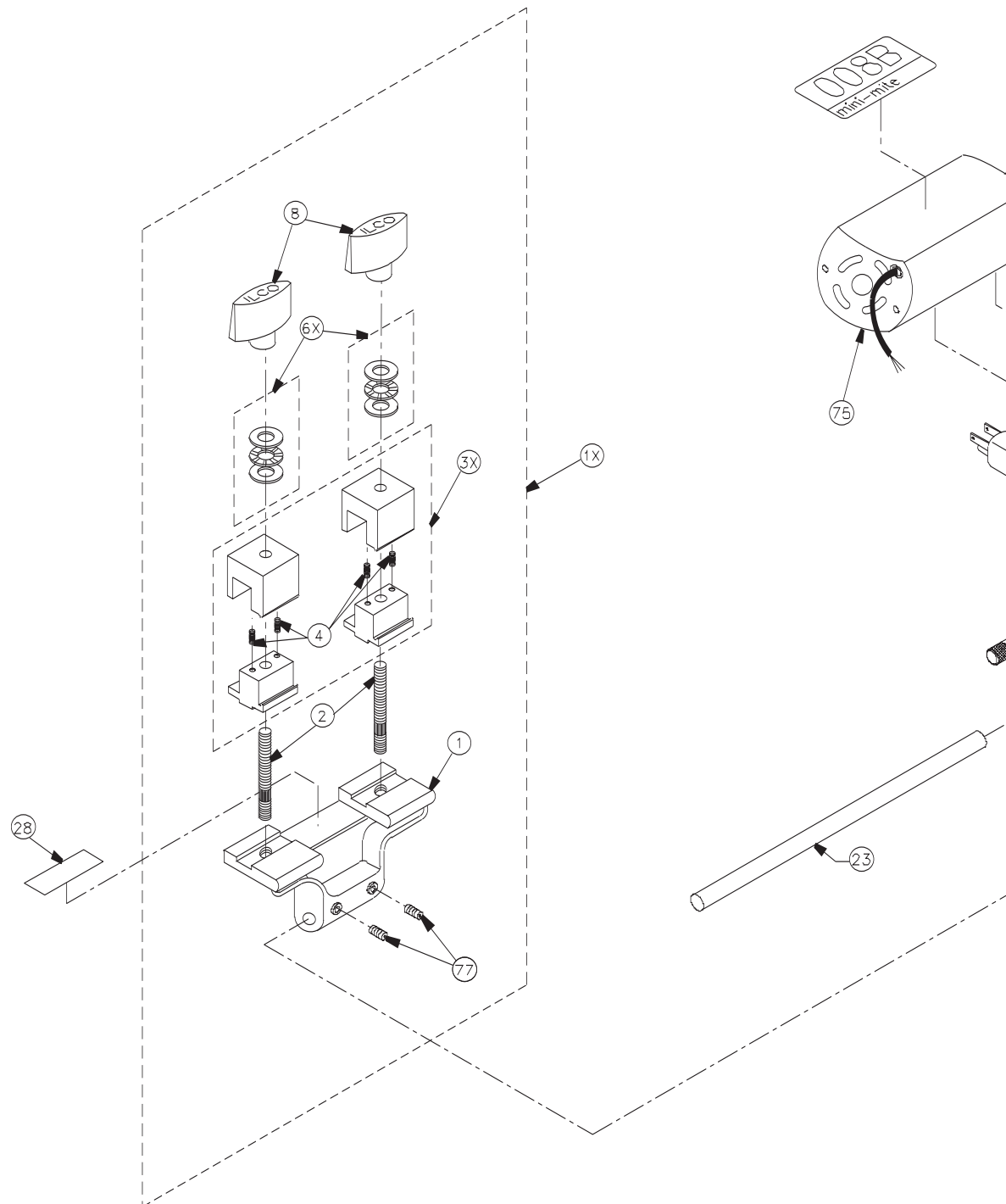
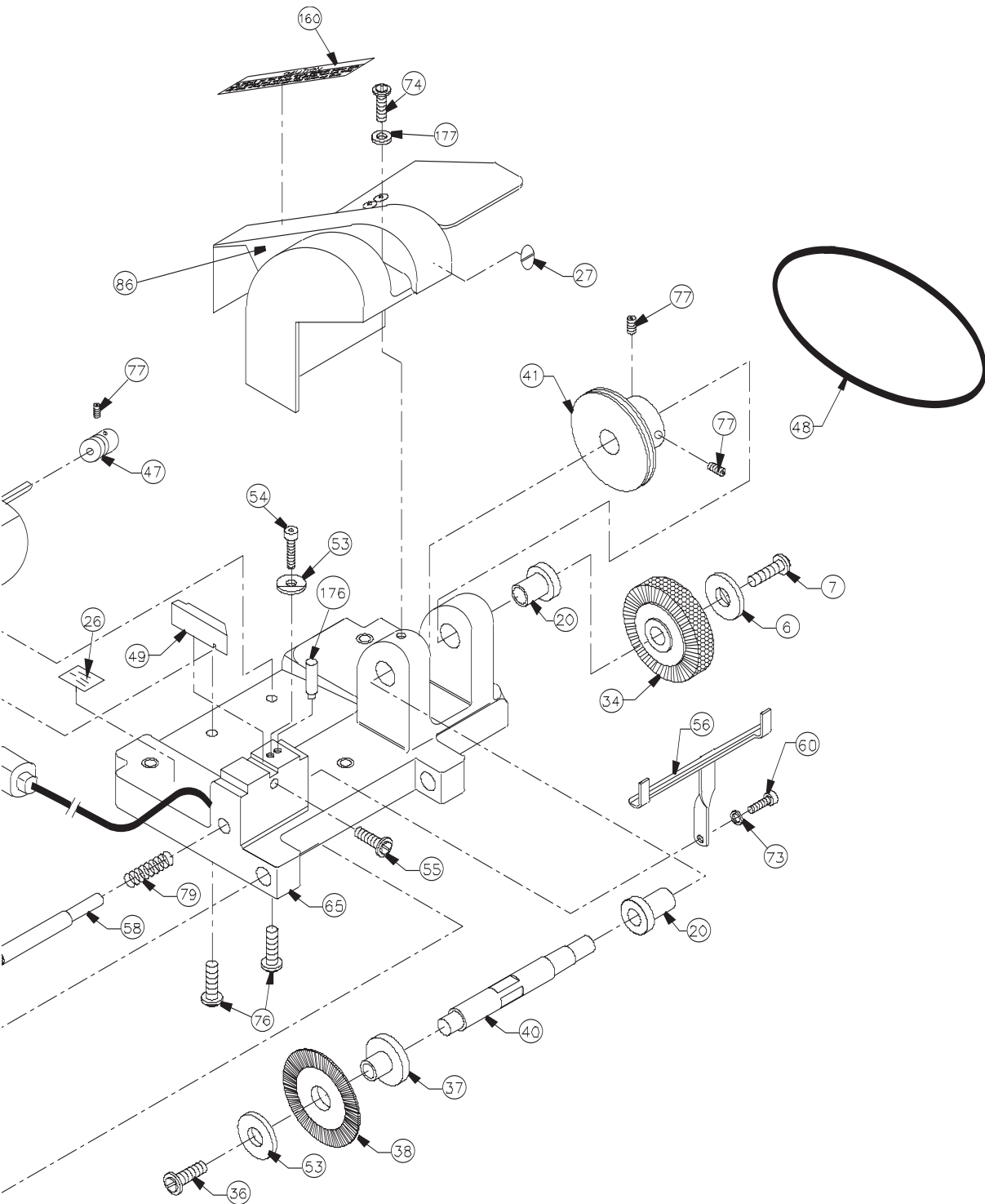


# EXPLODED VIEW



# EXPLODED VIEW



# EXPLODED VIEW PARTS LIST

Refer to pages 6-7 for illustration

Ref.	Part No.	Description	Ref.	Part No.	Description
1	008-1	Carriage	55	008-55	Adjusting Screw
1X	008-1X	Carriage Assembly	56	008-56	Key Gauge
2	008-2	Carriage Stud	58	008-58	Key Gauge Shaft
3X	008-3X	Vise Jaw Assembly	60	008-60	Key Gauge Screw (8-32 x 1/2")
4	008-4	Vise Jaw Spring	62	008B-62	Off/On Power Switch
6X	008-6X	Thrust Bearing Set	65	008-65	Main Base, Machined
8	008-8	Wing Nut	73	008-73	Key Gauge Lockwasher, #8)
20	008-20	Cutter Shaft Bushing	74	008-74	Safety Hood Screw, (10-32 x 3/8")
23	008-23	Carriage Shaft	75	008B-75A	115V Motor Assy. (008A version)
36	008-36	Cutter Shaft Screw (10-32 x 3/4" LH)	76	008-76	Motor Mounting Screw (10-32 x 9/16")
37	008-37	Cutter Spacer	77	008-77	Set Screw (10-32 x 1/4")
38	008-38	23RF Cutter	79	008-79	Key Gauge Spring
40	008B-40	Cutter Shaft	86	008B-86	Safety Hood/Belt Guard
41	008-41	Cutter Shaft Pulley	160	008-160	Caution Label
43	008-43	Deburring Brush	175	008-175	Mounting oval head wood screw, (10 x 1 3/4")
46	008-46	Key Rake Screw (8-32 x 3/8")	176	008-176	Cutter Guide Pin
47	008-47	Motor Pulley	177	008-177	Safety Hood Washer
48	008-48	Drive Belt	NS	008-IM	Instruction Manual
49	008-49	Cutter Guide, (stylus)	NS		12V motor with connecting cable
53	008-53	Binding Washer	NS	008A-66	Main Base, machined
54	008-54	Cutter Guide Binding Screw			