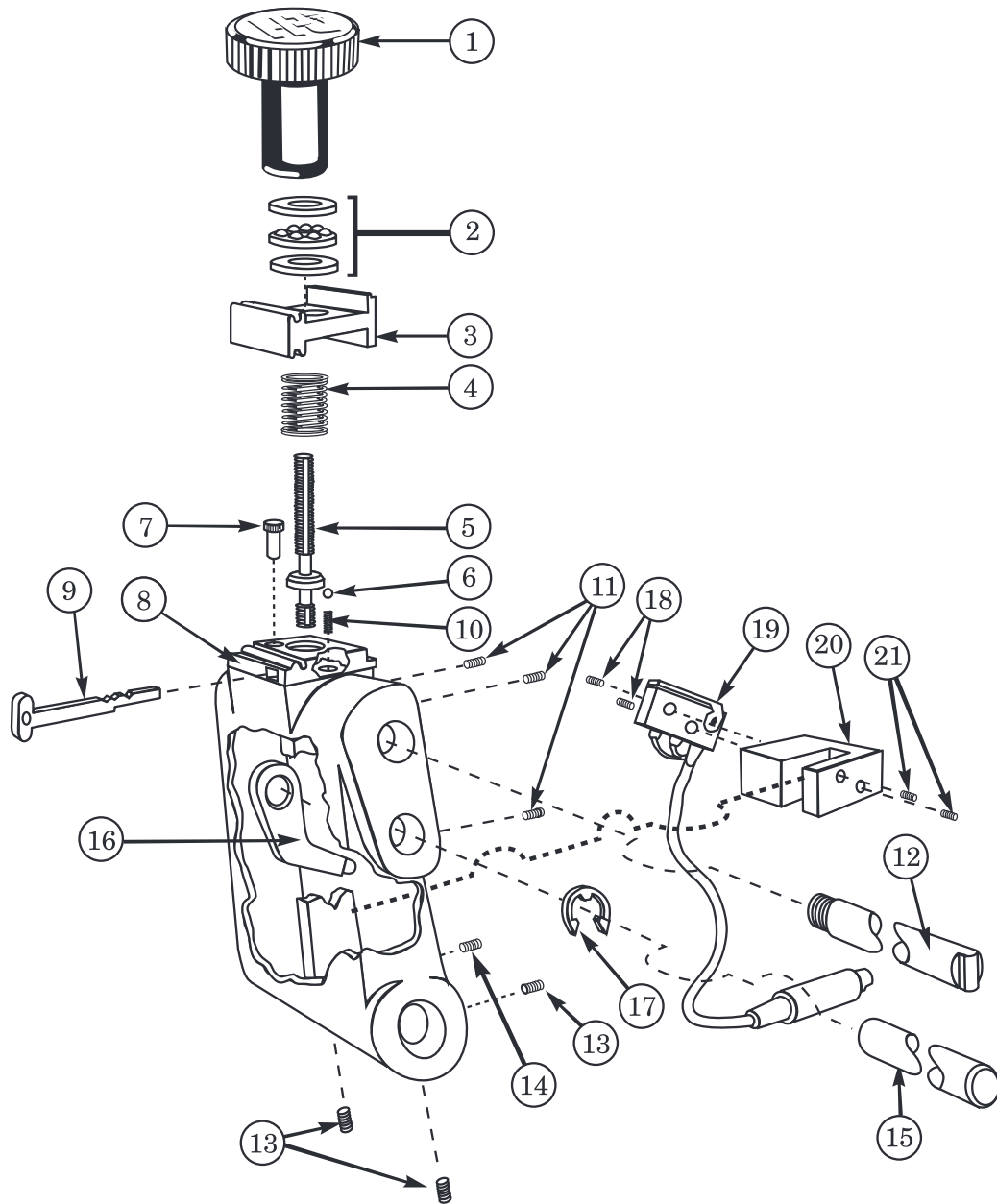


9. Exploded Views

Pivot Arm With Safety Switch Assembly

#	Description	Stock #
1.	Easy Grip Wing Nut	EGN-1
2.	Ball Bearing Washer	BBW-2
3.	Top Jaw	CM-1056MA
4.	Spring	CM-1293MA
5.	Stud	CM-1019MA
6.	Ball Bearing	CM-50108
7.	Set Screw	CM-50110
8.	Bottom Jaw (factory installation recommended)	CM-1055MA
9.	Tip Stop	CM-1054MA
10.	Spring	CM-1090MA
11.	Set Screw	CM-50139
12.	Eccentric Shaft	CM-1041
13.	Set Screw	CM-50109
14.	Set Screw	CM-50112
15. & 16	Turn Bar & Shoulder Gauge	CMB-FG
17.	Retaining Ring	CM-50105
18.	2-56 Screw	MAX-92
19.	Shoulder Gauge Wire Assembly	MAX-90
20.	Shoulder Gauge Micro Switch Bracket	MAX-91
21.	6-32 Set Screw	MAX-89

CodeMax® Pivot Arm with Safety Switch Assembly



CodeMax® Parts List

#	Description	Stock #
1.	Keypad	MAX-4
2.	Pad Locator	MAX-5
3.	Keypad Display Circuit Board	MAX-6
4.	Pivot Arm Assembly	CM-1024X
5.	Cutter Head Assembly	CM-1053X
6.	Grip Spring	CM-1079
7.	Belt Guard	CM-1014B
8.	Angle Index Pin	CM-1042
9.	Belt	CM-1083MA
10.	Motor Pulley	CM-1060MA
11.	Set Screw	9100-11
12.	Nut	CM-50148
13.	Screw	CM-50158
14.	Motor Mounting Bracket	CM-1040MA
15.	Hex Nut	CM-50157
16.	Screw	CM-50167
17.	Motor	CM-1080MA
18.	Pivot Pin	CM-1043
19.	Washer	CM-50100
20.	Power Cord	MAX-34
21.	Screw	MAX-35
22.	Plunger U-Bracket	MAX-43
23.	Display Board Wire Assembly	MAX-44
24.	Screw #8-32 x 1/4	MAX-46
25.	Gasket	MAX-47
26.	Rubber Bumper	CM-50133MA
27.	Screw	CM-50134
28.	Amp Fuse	MAX-78
29.	Washer	CM-50167-1
30.	Motor Support	CM-50186
31.	Motor Support Screws (2)	CM-50188

Circuit Connections

A1	connects to:	A
B1	connects to:	B
C1	connects to:	C
D1	connects to:	D
E1	connects to:	E
F1	connects to:	F
G1	connects to:	G
H1	connects to:	H
J1	connects to:	J

CodeMax® Primary Assembly and Circuit Connections

