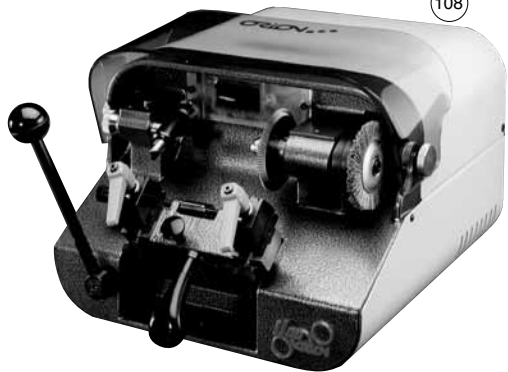
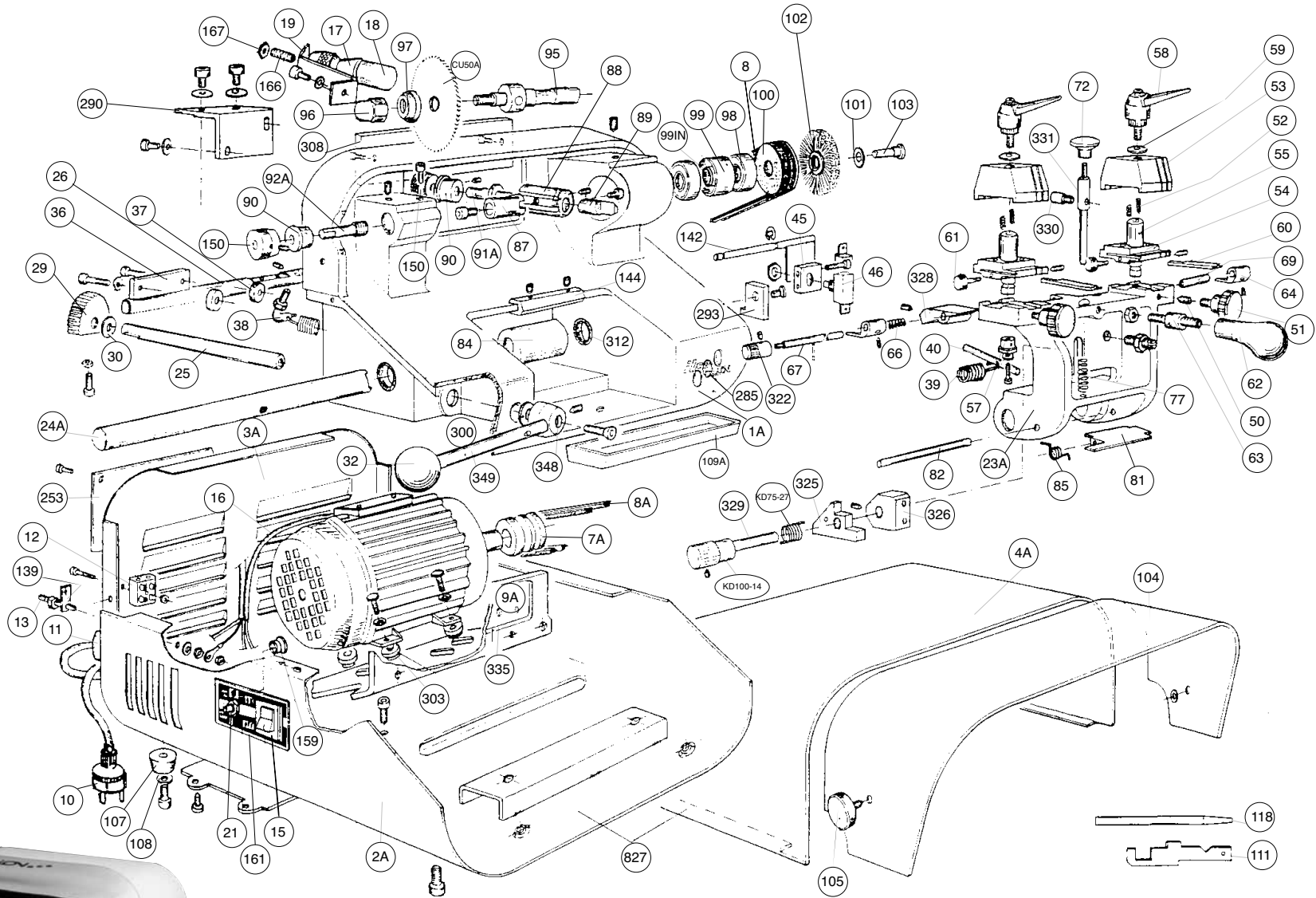


# KD50C



# KD50C

	Description	Part Number	Item Number		Description	Part Number	Item Number
6A	Bracket, Motor Support	KD50-6A	BD0146XXXX	58	Clamp Assembly	KD50-58	BD0066XXXX
7A	Motor Pulley	KD50-7A	BD0155XXXX	59	Thrust Washer	KD50-59	BD0145XXXX
8A	Belt	KD50-8A	BD0059XXXX	60	Key Head Rest	KD50-60	BD0147XXXX
9A	Motor 110 Volt	KD50-9A	BD0177XXXX	61	Clamp Screw	KD50-61	BD0148XXXX
10	Power Cord & Plug	KD50-10	BD0073XXXX	62	Carriage Handle	KD50-62	BD0149XXXX
11	Bushing, Strain Relief	KD50-11	BD0091XXXX	64	Finger, Setting Gauge	KD50-64	BD0150XXXX
12	Terminal	KD50-12	BD0098XXXX	66	Spring, Setting Gauge	KD50-66	BD0151XXXX
13	Grounding Stud	KD50-13	BD0099XXXX	67	Shaft, Setting Gauge	KD50-67	BD0152XXXX
14	Grounding Nuts	KD50A-14	BD0102XXXX	68	Knob, Setting Gauge	KD50-68	BD0153XXXX
15	On & Off Switch, Rocker Type	KD50A-15	BD0299XXXX	69	Sleeve, Setting Gauge	KD50-69	BD0154XXXX
17	Light Socket	KD50-17	BD0108XXXX	70	Pin, Setting Gauge	KD50-70	BD0156XXXX
18	Light Bulb	KD50-18	BD0062XXXX	71A	Shaft, Detent Release	KD50-71A	BD0158XXXX
19	Socket Support Bracket	KD50-19	BD0109XXXX	72	Knob, Detent Release Shaft	KD50-72	BD0159XXXX
20A	Transparent Light Guard	KD50-20A	BD0110XXXX	73A	Sleeve, Detent Release Shaft	KD50-73A	BD0175XXXX
21	Momentary Switch	KD50-21	BD0063XXXX	74	Extension Arm (Sleeve)	KD50-74	BD0161XXXX
23A	Carriage	KD50C-23A	BD0111XXXX	75	Retraction Wire Plate	KD50-75	BD0162XXXX
24A	Carriage Shaft	KD50-24A	BD0113XXXX	76	Retraction Wire, Setting Gauge	KD50-76	BD0163XXXX
25	Actuating Shaft	KD50-25	BD0114XXXX	77	Spring, Detent Release	KD50-77	BD0164XXXX
26	Drive Shaft	KD50-26	BD0115XXXX	81	Pawl	KD50-81	BD0167XXXX
27	Retaining Collar	KD50C-27	BD0508XXXX	82	Pivoting Block Shaft	KD50-82	BD0169XXXX
28	Actuating Shaft Sleeve	KD50-28	BD0117XXXX	83	Spacer Sleeve	KD50-83	BD0170XXXX
29	Gear	KD50-29	BD0118XXXX	84	Carriage Shaft Detent Sleeve	KD50-84	BD0171XXXX
30	Washer (Brass)	KD50-30	BD0120XXXX	85	Spring, Pivoting Block	KD50-85	BD0172XXXX
31	Handle	KD50-31	BD0351XXXX	86	Key Guide Assembly	KD50-86	BD0173XXXX
32A	Knob	KD50-32A	BD0351XXXX	87	Mounting Cylinder	KD50-87	BD0178XXXX
34	Plate	KD50-34	BD0123XXXX	88	Barrel	KD50-88	BD0179XXXX
35	Angle Plate	KD50-35	BD0124XXXX	89A	Cutter Guide (stylus)	KD50A-89A	BD0332XXXX
36	Brass Bearing Block	KD50-36	BD0131XXXX	90	Adjusting Screw Bushing	KD50-90	BD0180XXXX
37	Brass Bearing Spacer	KD50-37	BD0132XXXX	91	Adjusting Screw (Diametral)	KD50-91	BD0181XXXX
38	Angle Pin	KD50-38	BD0133XXXX	92	Adjusting Screw (Lateral)	KD50-92	BD0182XXXX
39	Carriage Spring	KD50-39	BD0134XXXX	95	Cutter Shaft	KD50-95	BD0183XXXX
40	Cam Actuating Pin	KD50-40	BD0135XXXX	96	Cutter Nut	KD50-96	BD0184XXXX
45	Mounting Block Switch	KD50-45	BD0672XXXX	97	Cutter Washer	KD50-97	BD0185XXXX
46	Cutter Starting Switch	KD50-46	BD0106XXXX	98	Bearing	KD50-98	BD0186XXXX
50	Slug	KD50-50	BD0067XXXX	99	Bearing Spacer (External & Internal)	KD50-99	BD0187XXXX
51	Clamp Screw	KD50-51	BD0068XXXX	100	Pulley, Cutter Spindle	KD50-100	BD0082XXXX
52	Jaw Spring	KD50-52	BD0069XXXX	101	Brush Spacer Washer	KD50-101	BD0083XXXX
N/S	Vise Jaw Assembly (with post)	KD50-J	BD0058XXXX	102B	3" Nylon Brush	KD50A-102B	BD0316XXXX
55	Vise Jaw Post	KD50-55	BD0070XXXX	103	Brush Shoulder Screw	KD50-103	BD0085XXXX
57	Retaining Washer	KD50-57	BD0144XXXX	104	Plastic Shield	KD50-104	BD0086XXXX

# KD50C

	Description	Part Number	Item Number		Description	Part Number	Item Number
105	Shield Knob	KD50-105	BD0087XXXX	290	Angle Plate	KD50C-290	BD0560XXXX
107	Foot	KD50-107	BD0089XXXX	293	Switch Cam	KD50C-293	BD0532XXXX
108	Foot Spacer	KD50-108	131693	300	Washer, 14 X 1.5mm	KD50C-300	BD0561XXXX
109A	Chip Pan	KD50A-109A	BD0090XXXX	303	Antivibrating Washer	KD50C-303	BD0562XXXX
N/S	Service Bar	KD50-111	BD0092XXXX	308	Transparent Light Guard	KD50C-308	BD0563XXXX
N/S	Service Pin set, 1.2mm/1.7mm	KD50-112/113	BD0093XXXX	312	Bushing	KD50C-312	BD0564XXXX
N/S	Hex Wrench Set (2,2.5, 3, 4, 5, 6mm)	KD50-114	BD0095XXXX	325	Gauge Cam	KD50C-325	BD0529XXXX
N/S	Open End Wrench	KD50-115	BD0096XXXX	326	Cam Support	KD50C-326	BD0534XXXX
N/S	Cutter (To secure cutter spindle)	KD50-116	BD0097XXXX	328	Adjusting Plate Ring	KD50C-328	BD0565XXXX
N/S	Service Kit	KD50-120	BD0071XXXX	329	Depth Knob Cam Pin	KD50C-329	BD0566XXXX
136	Pin Retainer	KD50A-136	131709	330	Cam Pin	KD50C-330	BD0567XXXX
138	Motor Support Bracket Retainer	KD50A-138	131710	331	Shaft, Detent Release	KD50C-331	BD0568XXXX
139	Grounding Label	KD50-139	131711	332	Knob, Setting Gauge	KD50C-332	BD0569XXXX
141A	Switch Cam	KD50A-141A	BD0414XXXX	335	Motor Shelf	KD50C-335	BD0570XXXX
142A	Switch Operating Shaft	KD50-142A	131404	348	Retaining Collar	KD50C-348	BD0572XXXX
144	Carriage Stop	KD50A-144	131712	349	Handle	KD50C-349	BD0573XXXX
146	Carriage Stop Adjusting Screw	KD50A-146	BD0412XXXX	64	Carriage Stop Adjusting Screw	KD71-64	BD0555XXXX
147	Carriage Stop Adjusting Nut	KD50A-147	BD0413XXXX	N/S	Instruction Manual	KD50C-IM	125308
150	Micrometer Knob	KD50-150	BD0105XXXX		Cutter	CU50A	BC0123XXXX
161	On/Off Switch Plate	KD50-161	BD0107XXXX	27	Gauge Spring	KD75-27	BD0535XXXX
166	Stud, Light Socket	KD50C-166	BD0558XXXX				
167	Nut, Light Socket Stud	KD50C-167	BD0559XXXX				